



IN - LINE CAPPER CVC 1024/1025



INTRODUCTION

IN - LINE CAPPER CVC 1024/1025

This machine is specially designed to meet customer's specific requirements.

Compared with the Model CVC 1204, the distinctive features of the CVC 1205 include:

- Applicable for round, rectangular and most irregular bottles and containers.
- Capping speed: up to 120 bottles per minute.
- Noiseless Cap Elevator to unscramble and feed caps to capping system.
- Large capacity floor level cap hopper to stock caps for long runs without continual refilling.
- Adjustable cap chute for different sizes of caps. A cap chute sensor is provided to detect caps in cap chute. The cap elevator will stop when the cap chute is full.
- Variable speed control.
- PLC control system.
- Stainless steel construction.
- Safety guard surrounds cap tightening station for operator safety.
- Rejection system for improperly capped bottles and/or missing foil cap liners. (optional)
- Meets cGMP requirements.

UNPARALLELED FEATURES

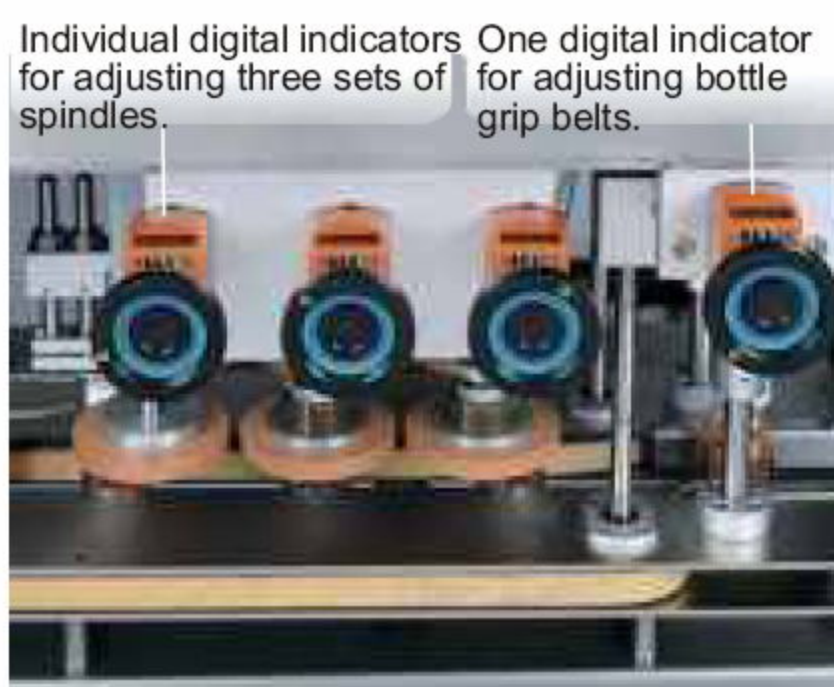
CVC 1024



Fail safe dual inspection system removes incorrectly oriented caps from loading chute



Unique design requires no changeover parts and no tools when changing caps sizes.



A total of four handwheels with digital indicators for quick and easy adjustments.



Sensor detection and rejection system available to remove off line improperly capped bottles and caps having missing foil cap liners.

CVC 1025



Special Cap Elevator for cap diameters up to 110 mm.(not applicable for model CVC 1204)



Each of the 4 pairs of capping spindles and bottle grip belts is equipped with an individual handwheel and precision indicator for accurate adjustment.

SPECIFICATIONS

Technical Specifications:

Bottle Diameter: 22 - 120 mm

Bottle Height: 60 - 200 mm (Bottle heights under 60 mm only available upon request)

Cap diameter: 22 ~ 66 mm. Use the model CVC 1205 for larger cap sizes.

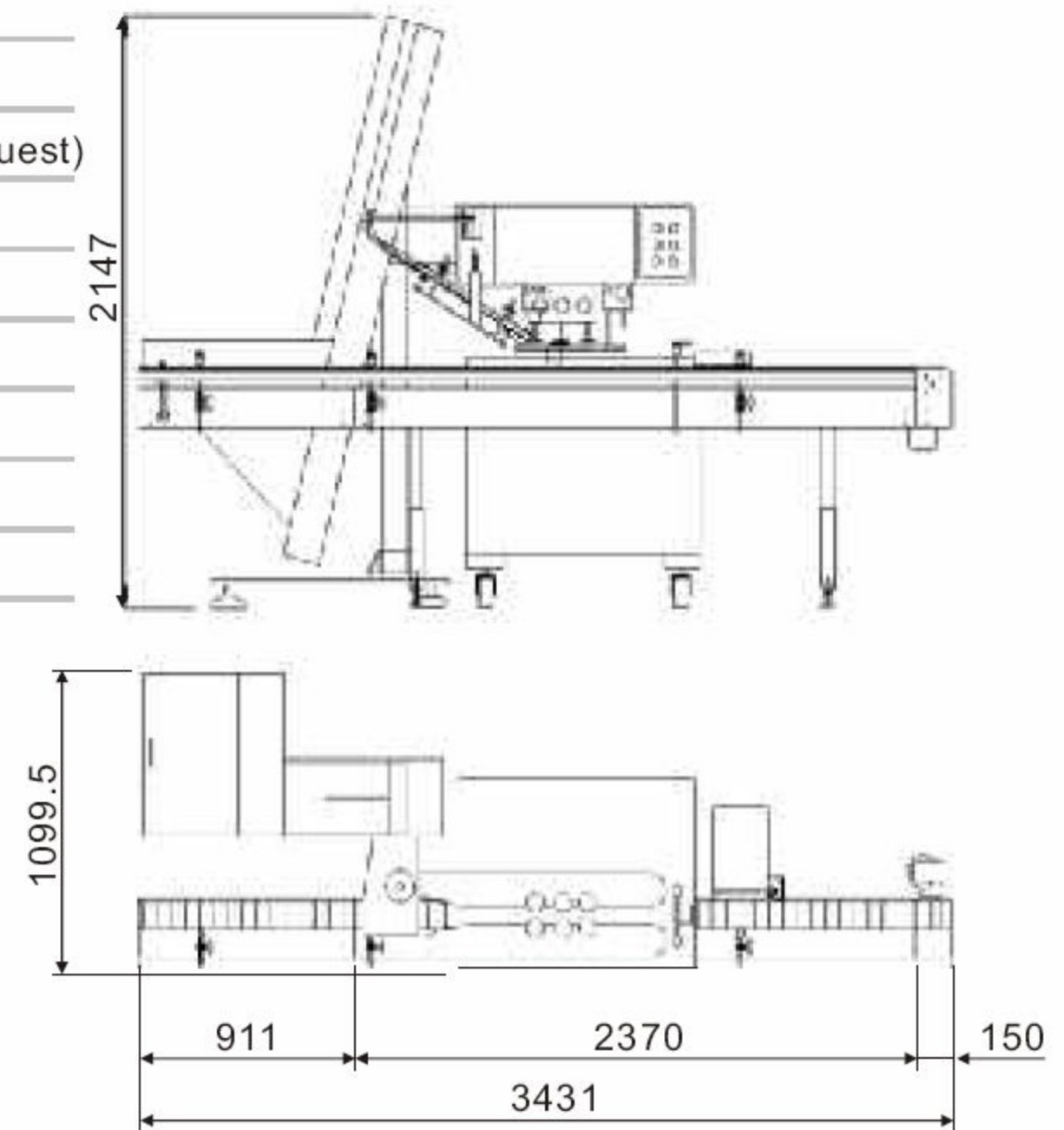
Power Source: 220 V, 50/60 Hz, single phase

Power Consumption: 2 KW (9 Amps at 220V)

Compressed air pressure: 87 psi (6 Kg/cm²)

Compressed air consumption: 13 cfm (350 liters/min)

Machine Dimensions: L.2745 x W.1200 x H.2146 mm



CVC 1024



SPECIFICATIONS

Technical Specifications:

Bottle diameter: 22 - 120 mm

Different gripping belts are required depending on bottle shape or slimness (i.e. height/dia. ratio)

Bottle Height: 60 - 250 mm. (For heights under 60 mm only available upon request)

Cap diameter: 22 ~ 110 mm

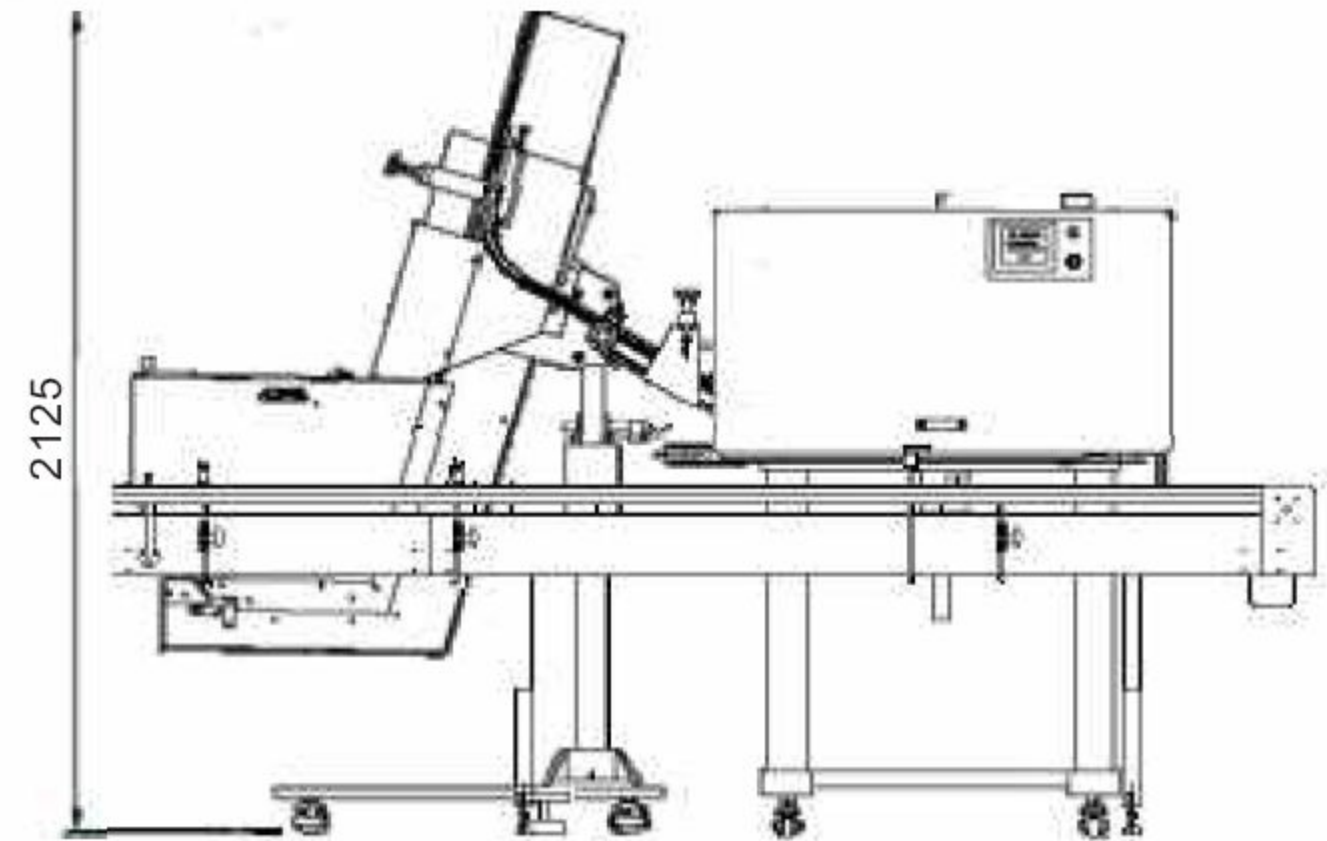
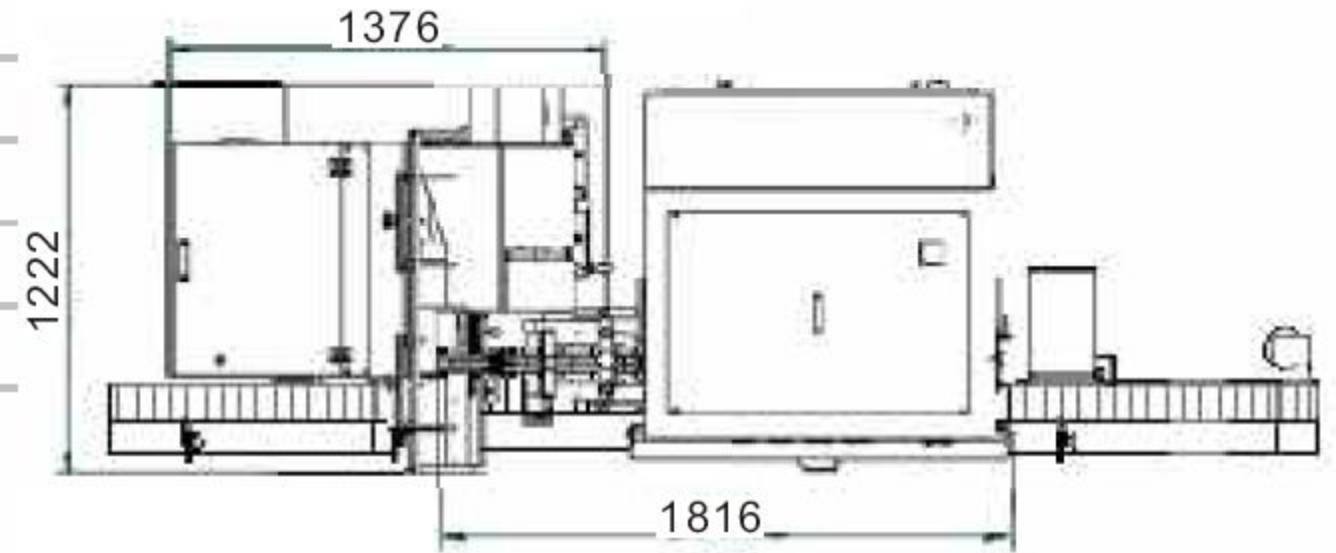
Power source: 220V, 50/60 Hz, single phase

Power consumption: 4.4 KW (20 Amps at 220V)

Compressed air pressure: 87 psi (6 Kg/cm²)

Compressed air consumption: 13 cfm (350 liters/min)

Machine dimensions: L. 2650 x W. 1550 x H. 2110 mm



BUSCH MACHINERY
Over 30 Years of Applications Expertise

800-840-9573 INTL 520-777-3360
EMAIL: sales@busch-machinery.com
WEBSITE: <http://busch-machinery.com>

