

SYNERGY 5

CONVEYOR AUTOMATIC

CONTROLS

State-of-the-art touch screen controls for reliable operation. Diagnostic indicators for troubleshooting.

DUAL POWER HYDRO-STRETCH®

Delivers unlimited film stretch and maximum load security. Your loads will be wrapped at the lowest possible cost per load.

FILM CUT AND SEAL

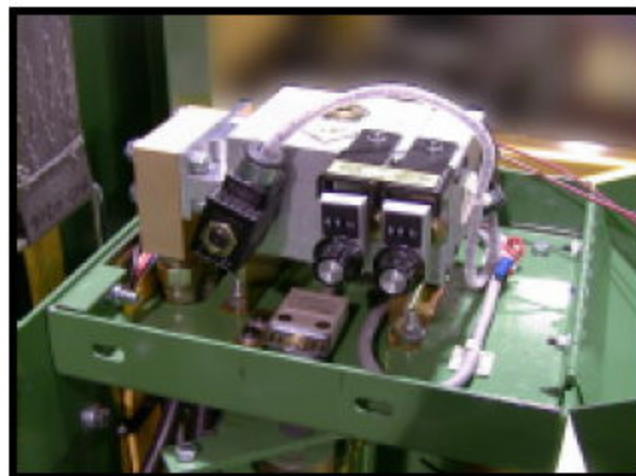
The film is cut with a Teflon® coated hot bar. The whale tail secures the film to the load.

HEAVY DUTY CONVEYORS

Highlight-built heavy duty conveyors for fast, smooth conveying and high production rates.

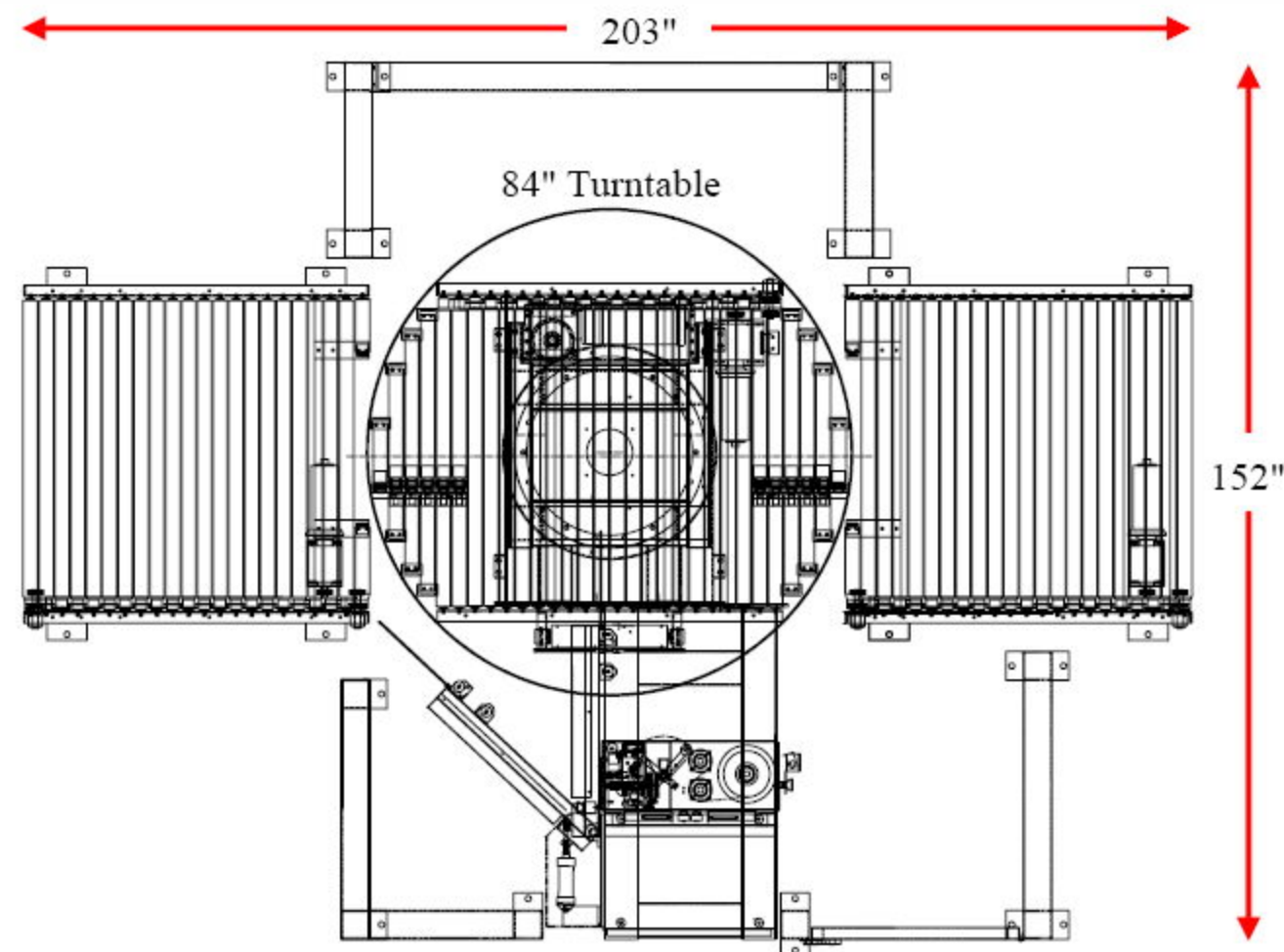
Due to Highlight's philosophy of "Progressive Improvements", photos may not depict the most recent design(s).

BUSCH MACHINERY
Over 30 Years of Applications Expertise



Dual Power Hydro-Stretch® provides infinite control of film stretch on the load and at the pallet/load interface.

The touch screen control panel offers state-of-the-art components for reliable operation, and diagnostic indicators for troubleshooting.



Production Capacity

50–60 loads per hour
 48" wide x 50" long maximum
 38" wide x 38" long minimum
 20"–72" standard wrap height

Conveyors

52" effective width
 60" length
 Powered turntable transition rollers
 3¾" roller centers
 2½" diameter rollers
 Every roller driven

Synergy 5 Module

Dual Power Hydro-Stretch®
 Film Stretch: Infinitely adjustable from 0% to film's maximum
 Independently adjustable film force
 Film clamps
 Film wipe down arm and Teflon® coated hot cut bar
 20" film capacity x 10" diameter
 37" diameter ring gear table drive
 84" diameter turntable
 Individual top and bottom wrap counters

Electrical & Air

Allen-Bradley PLC
 Air: 80 psi, 3 cfm
 Electrical: 240/480 volt, 3 phase, 15 amp
 "Off-the-shelf" components

Allen-Bradley components ensure reliability and durability. The Synergy 5 offers complete control over every aspect of your stretch wrapping needs!

BUSCH MACHINERY

Over 30 Years of Applications Expertise

800-840-9573 INTL 520-777-3360

EMAIL: sales@busch-machinery.com

WEBSITE: http://busch-machinery.com

