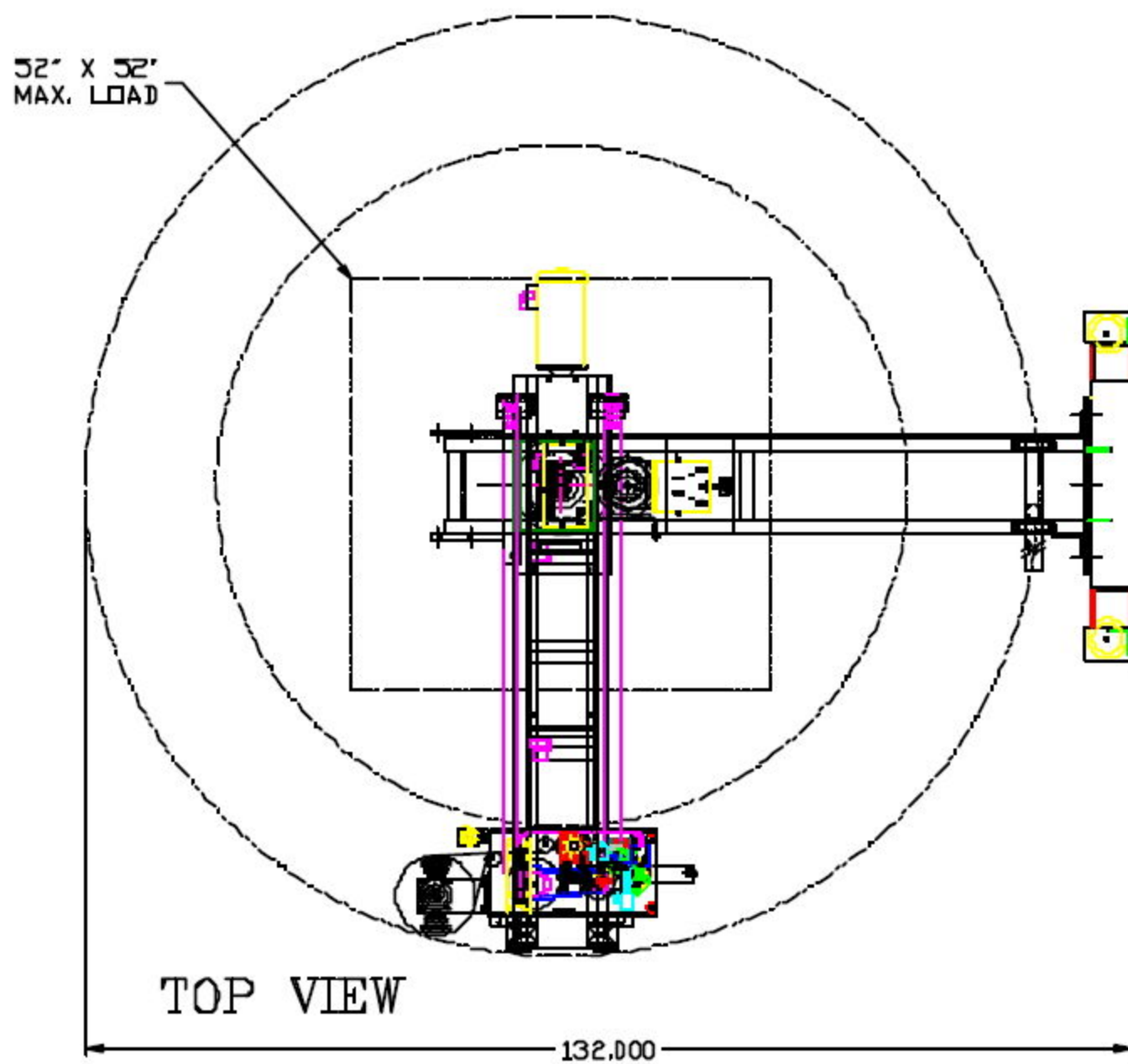


# FREEDOM 6512

## Specification Sheet



### FRAME CONSTRUCTION

- Structural steel tubing support arm
- 1/8" formed steel rotary arm
- 14 gauge formed steel channel tower

### DRIVE SYSTEM

- 3/4 HP DC rotary arm drive
- 0–12 rpm variable speed
- Soft start and soft stop

### ELECTRICAL SPECIFICATIONS

- Allen-Bradley MicroLogic 1000 PLC
- Free-standing control panel
- Standard: 120 VAC, 20 amps, single phase

### SAFETY FEATURES

- Audible/visual warning signals
- Object Sensor

### WRAPPING SPECIFICATIONS

- 52" x 52" x 84" high load capacity
- Variable speed film elevator
- 3/4 HP DC elevator drive
- Load height photosensor
- Film lowers to 1½" from floor\*
- 20" film capacity by 10" O.D.
- Adjustable film force
- Fixed gear pre-stretch 200% standard —  
other gear sets available

*\*Dependent on film force on load, film core extension  
and horizontal plane of floor.*

### OPTIONS

- Extended height
- Extended main frame
- 30" film capacity
- Leg set available
- Other options available — consult factory

Due to Highlight's "Progressive Improvement" philosophy, the photograph does not necessarily depict the most recent design.

*Specifications subject to change without notice.*



## BUSCH MACHINERY

Over 30 Years of Applications Expertise

800-840-9573 INTL 520-777-3360

EMAIL: sales@busch-machinery.com

WEBSITE: <http://busch-machinery.com>